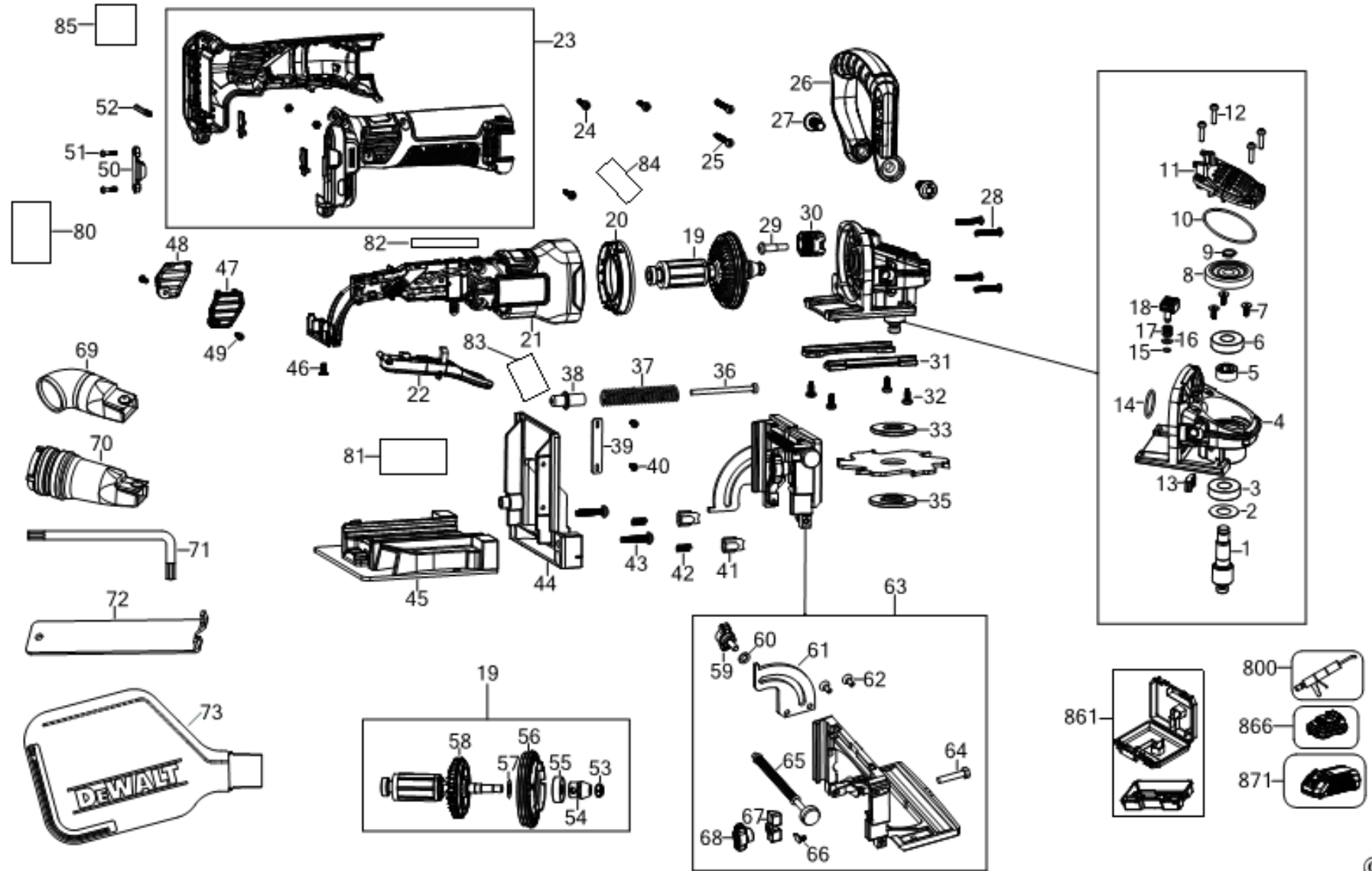


DEWALT

DCW682

Typ
1

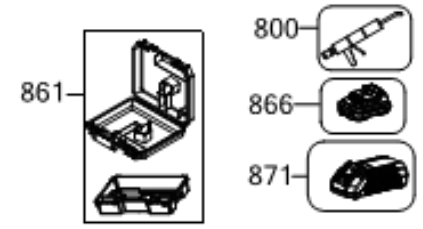


©

E21131

www.2helpU.com

21/02/2022



Parts List DCW682P2 JOINTER GROOVER 1

Item	Part Number	Qty	Part Description	General Description	Other Info	Repair Inst	Markets
1	N863872	1	SPINDLE	M10	M10	No	XJ
2	638229-00	1	WASHER			No	XJ
3	N150961	1	BEARING	60012RS		No	XJ
4	N863859	1	GEARCASE			No	XJ
5	N095815	1	SLEEVE			No	XJ
6	N150961	1	BEARING	60012RS		No	XJ
7	N118088	3	SCREW			No	XJ
8	N153126	1	GEAR			No	XJ
9	444793-00	1	CIRCLIP			No	XJ
10	N094024	1	O RING			No	XJ
11	N116180	1	GEARCASE COVER			No	XJ
12	N122904	4	SCREW			No	XJ
13	N489769	1	PLUG			No	XJ
14	N119639	1	O RING			No	XJ
15	N094012	1	O RING			No	XJ
16	N447838	1	WASHER			No	XJ
17	N092954	1	SPRING			No	XJ
18	N181767	1	SPINDLE LOCK			No	XJ
19	N769802	1	ROTOR SA			No	XJ
20	N478435	1	BAFFLE			No	XJ
21	NA146296	1	MOTOR SA	SA MOTOR AND MODULEEURO		No	XJ
22	N471601	1	PADDLE			No	XJ
23	NA152438	1	HANDLE SA	EURO	EURO	No	XJ
24	330019-04	3	SCREW			No	XJ
25	330065-33	2	SCREW			No	XJ
26	N863904	1	HANDLE			No	XJ
27	330045-32	2	SCREW			No	XJ
28	330065-31	4	PLASTIC SCREW			No	XJ
29	147791-00	1	SCREW			No	XJ
30	NA033471	1	DEPTH STOP			No	XJ
31	147736-01	2	PAD			No	XJ
32	330045-05	4	SCREW			No	XJ

Parts List DCW682P2 JOINTER GROOVER 1

Item	Part Number	Qty	Part Description	General Description	Other Info	Repair Inst	Markets
33	147725-00	1	WASHER			No	XJ
35	151001-00	1	NUT			No	XJ
36	147759-00	1	SHAFT			No	XJ
37	147758-00	1	SPRING			No	XJ
38	147785-00	1	GUIDE			No	XJ
39	147797-01	1	SCALE		METRIC	No	XJ
40	330045-43	2	SCREW			No	XJ
41	147753-00	2	PIN			No	XJ
42	147809-00	2	SPRING			No	XJ
43	330045-16	2	SCREW			No	XJ
44	147741-00	1	SUPPORT			No	XJ
45	NA134292	1	BASE SA	EURO	EURO	No	XJ
46	NA105798	1	TERMINAL BLOCK			No	XJ
47	N493572	1	COVER		RH	No	XJ
48	N493573	1	COVER		LH	No	XJ
49	N042665	2	SCREW			No	XJ
50	N787996	1	INSERT			No	XJ
51	N831593	2	SCREW			No	XJ
52	N467560	1	PLATE			No	XJ
53	604484-00	1	NUT			No	XJ
54	N153125	1	PINION			No	XJ
55	N214432	1	BEARING			No	XJ
56	N478436	1	STATOR			No	XJ
57	N213812	1	WASHER			No	XJ
58	N885205	1	ROTOR SA			No	XJ
59	NA034028	1	KNOB	MALE		No	XJ
60	330016-07	1	WASHER			No	XJ
61	147795-00	1	QUADRANT			No	XJ
62	098102-10	1	SCREW.TEMP			No	XJ
63	NA169873	1	FENCE SA			No	XJ
64	098022-25	1	SCREW	HEX		No	XJ
65	147745-00SV	1	PINION			No	XJ

Parts List DCW682P2 JOINTER GROOVER 1

Item	Part Number	Qty	Part Description	General Description	Other Info	Repair Inst	Markets
66	147737-00	1	POINTER			No	XJ
67	147749-00	1	CLAMP			No	XJ
68	NA034029	1	KNOB	FEMALE	FEMALE	No	XJ
69	151002-00	1	DUST DEFLECTOR			No	XJ
70	NA039653	1	DUST PORT	STRAIGHT	STRAIGHT	No	XJ
71	152693-00	1	KEY		T20	No	XJ
72	445871-00	1	SPANNER			No	XJ
73	N126162	1	DUST BAG SA			No	XJ
80	NA134475	1	LABEL	FOOT	FOOT	No	XJ
81	NA134480	1	RATING PLATE	EURO	EURO	No	XJ
82	NA134471	1	IDENTITY LABEL	18V	18V	No	XJ
83	NA134482	1	LABEL	ICONS	ICONS	No	XJ
84	NA134484	1	LABEL	BRUSHLESS	BRUSHLES	No	XJ
85	NA134485	1	LABEL	XR	XR	No	XJ
800	286436-00	1	GREASE	NYE RHEOLUBE 380, 50		No	XJ
861	NA086054	1	KITBOX	WITH TRAY	with tray	No	XJ
861	N475700	1	KITBOX		WITHOUT	No	XJ
866	N394624	2	BATTERY 18V - 5.0AH - 90WH		TRAY P2	No	XJ